

CBP80 Series Tri-Barrier Strip Terminal Blocks

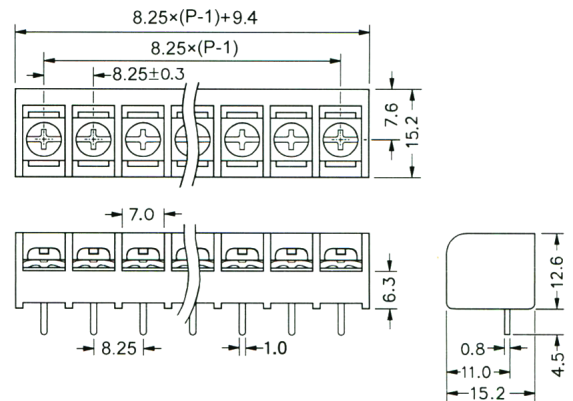
Pitch : 8.25mm

Poles : 2P~32P

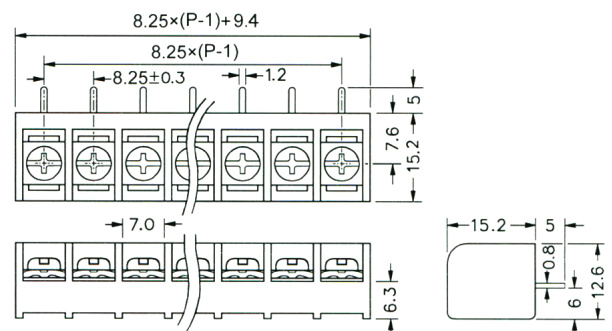
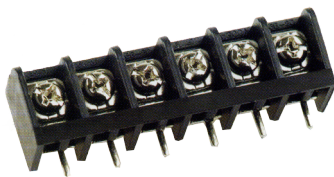
Electrical Rating	15A 300VAC
Housing Material	PA66, Black
Terminal	Brass, 0.8t Tin Plated
Screw	Steel, M3, Nickel Plated
Working Temperature	-40°C to +105°C
Insulation withstand Voltage	AC2000V at 1 min
Insulation resistance	500MΩ or more at DC 500V
Wire Range	22~12 AWG
Max. Torque Value	10Kg/cm

Unit : mm

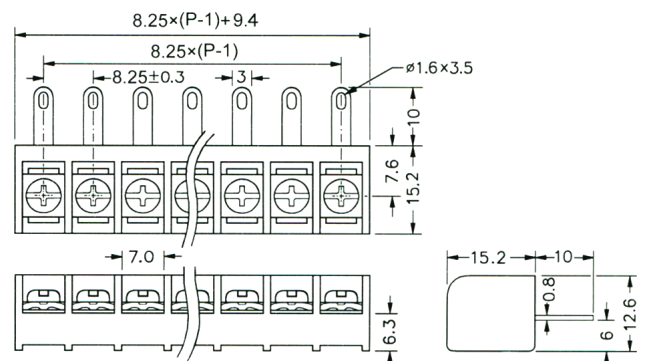
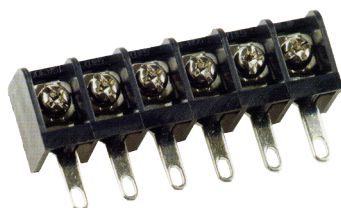
CBP80-01



CBP80-02

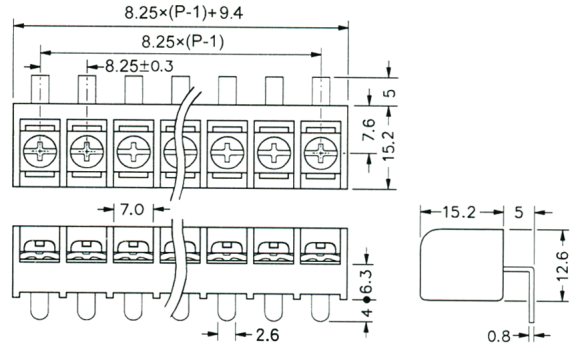
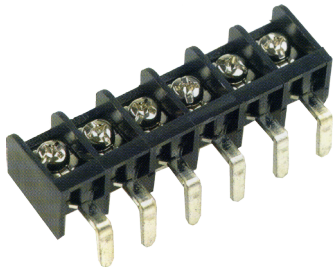


CBP80-03

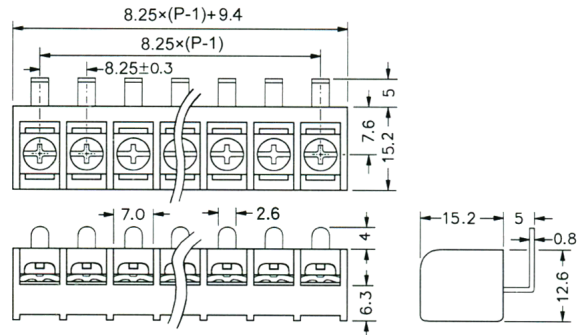
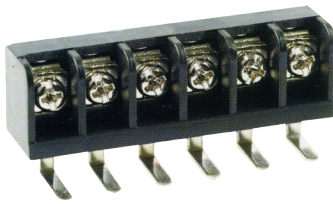


Unit : mm

CBP80-04



CBP80-05



Unit : mm