

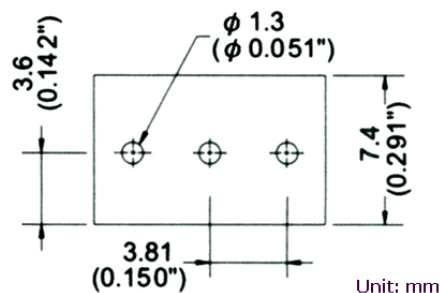
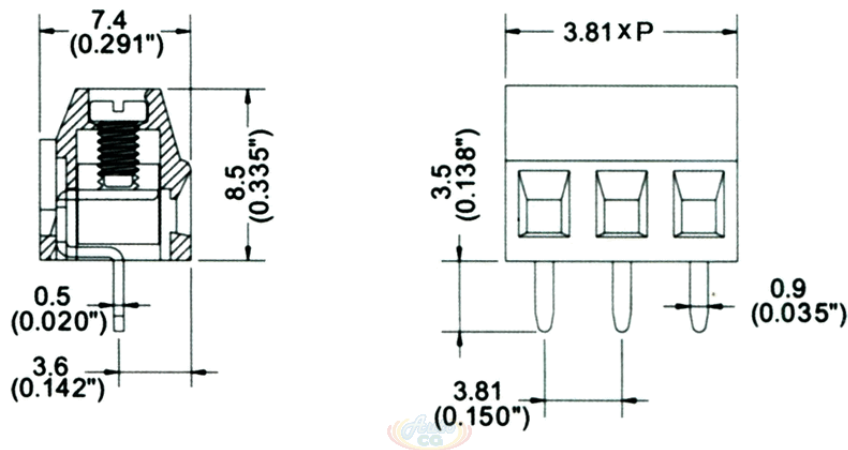
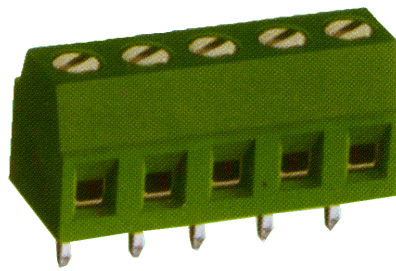
CBP2-HC381 Euro-Style PCB Terminal Blocks

Pitch : 3.81mm

Poles : 2P~16P

Electrical Rating	10A 300VAC
Housing Material	Polyamide 66, Green
Screw	M2.0, Steel, Nickel Plated
Wire Cage	Brass, 0.6t, Nickel Plated
Solder Pin	Brass, 0.5t, Tin Plated
Working Temperature	-40°C to +105°C
Insul. withstand Voltage	AC2000V/min
Insul. resistance	500MΩ or more at DC 500V
Wire Range	26~16 AWG
Max. Torque Value	2Kg/cm

Unit : mm



Unit: mm