

CBP50 Series Tri-Barrier Strip Terminal Blocks

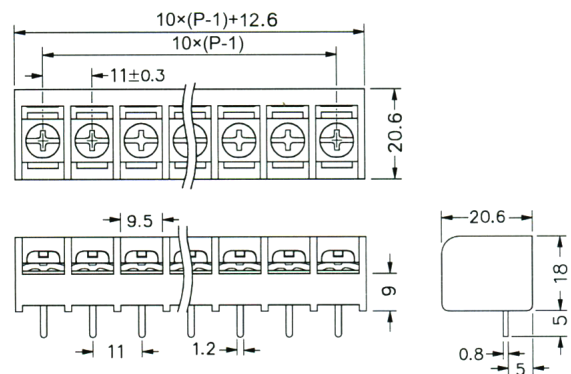
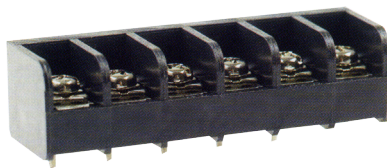
Pitch : 11mm

Poles : 2P~32P

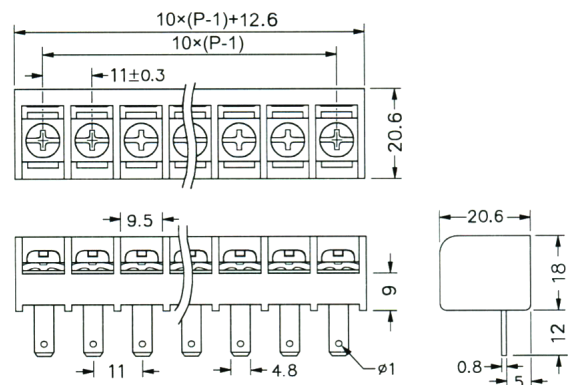
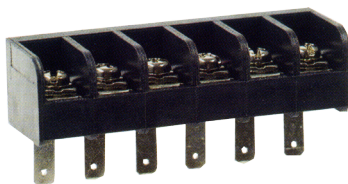
Electrical Rating	15A 300VAC
Housing Material	PA66, Black
Terminal	Brass, 0.8t Tin Plated
Screw	Steel, M4, Nickel Plated
Working Temperature	-40°C to +105°C
Insulation withstand Voltage	AC2000V at 1 min
Insulation resistance	500MΩ or more at DC 500V
Wire Range	22~12 AWG
Max. Torque Value	18Kg/cm

Unit : mm

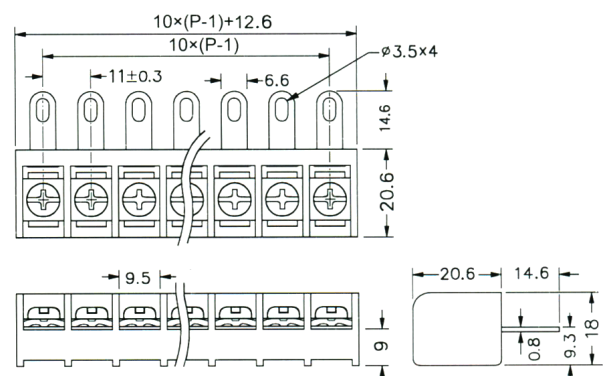
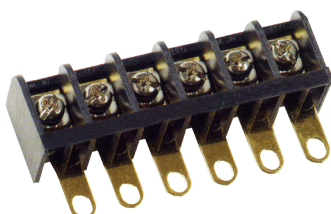
CBP50-01



CBP50-02

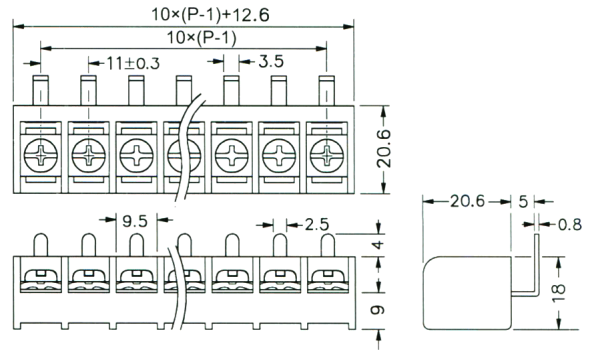
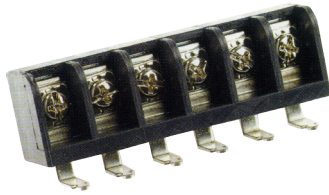


CBP50-03

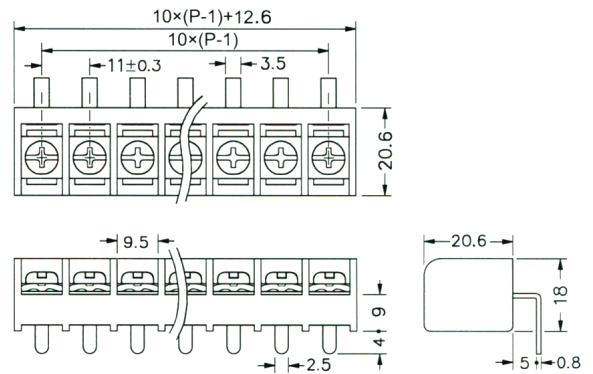
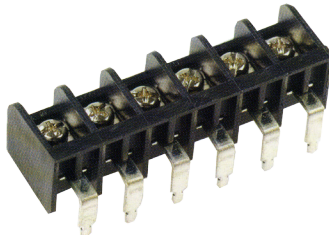


Unit : mm

CBP50-04



CBP50-05



Unit : mm