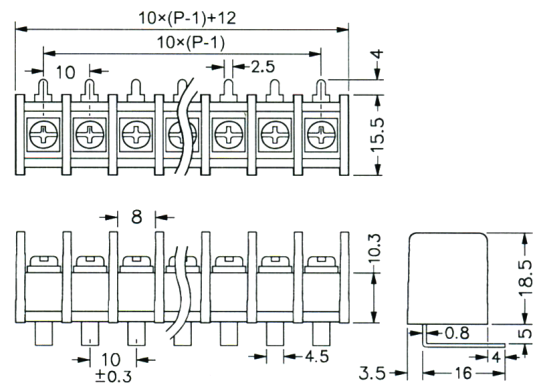
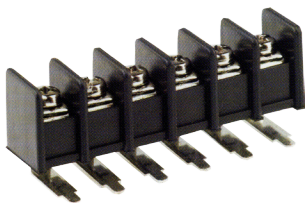


CBP40 Series Barrier Strip Terminal Blocks

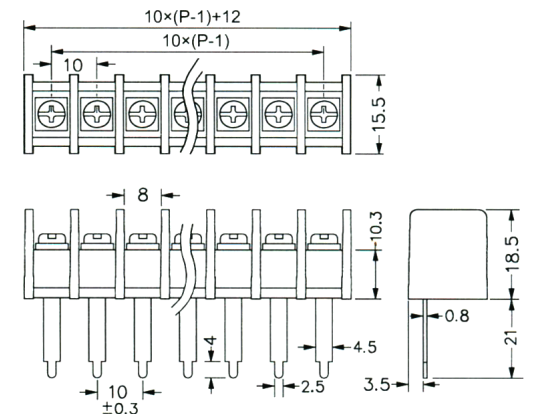
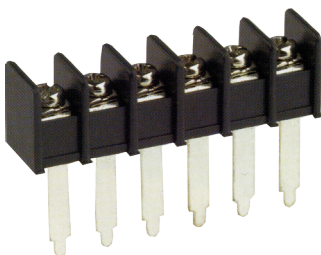
Pitch : 10mm	Poles : 2P~30P	Cover Available
Electrical Rating	20A 300VAC	
Housing Material	PA66, Black	
Terminal	Brass, 0.8t Tin Plated	
Screw	Steel, M3.5, Nickel Plated	
Working Temperature	-40°C to +105°C	
Insulation withstand Voltage	AC2000V at 1 min	
Insulation resistance	500MΩ or more at DC 500V	
Wire Range	22~12 AWG	
Max. Torque Value	12Kg/cm	

Unit : mm

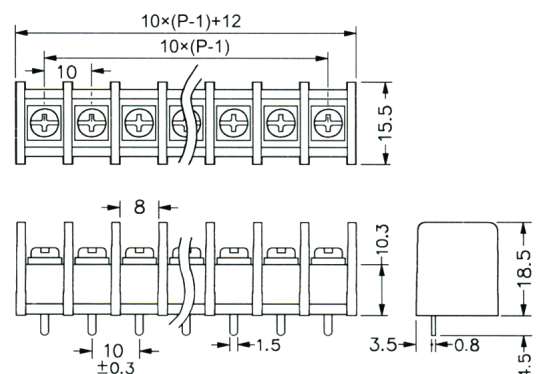
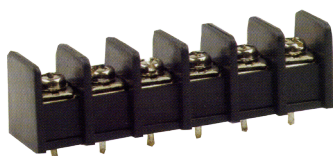
CBP40-01



CBP40-02

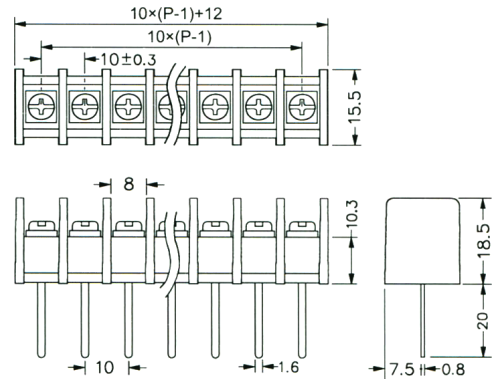
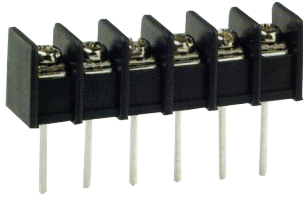


CBP40-03

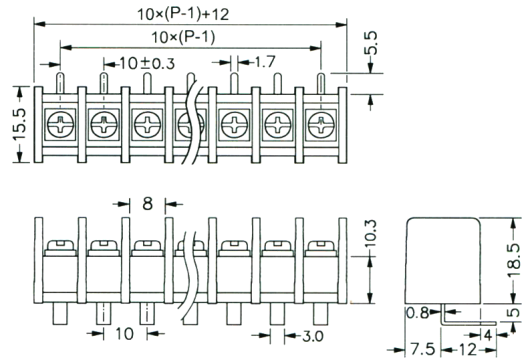
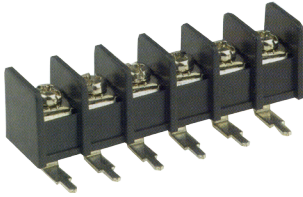


Unit : mm

CBP40-04

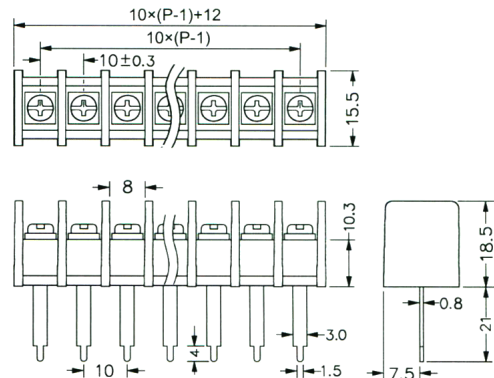
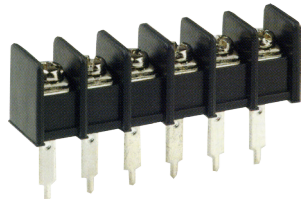


CBP40-05

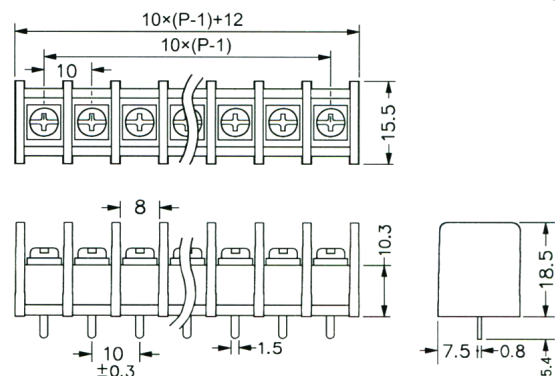
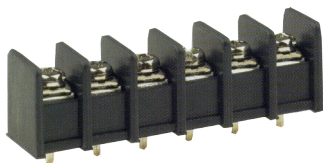


Unit : mm

CBP40-06

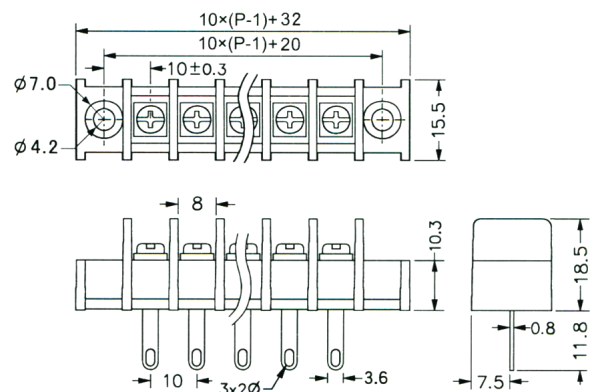
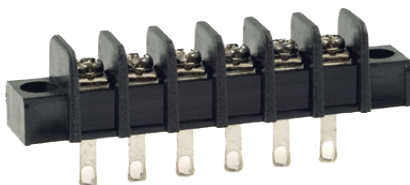


CBP40-07



Unit : mm

CBP40-08



Unit : mm