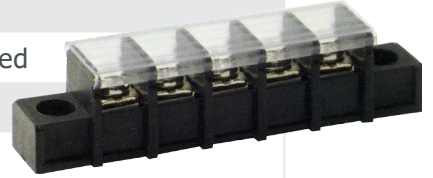


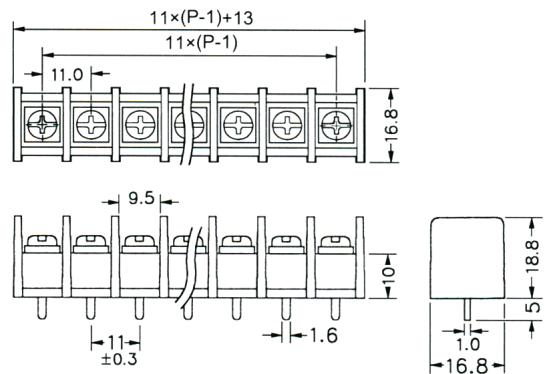
## CBP30 Series Barrier Strip Terminal Blocks

Pitch : 11mm	Poles : 2P~29P	Cover Available
Electrical Rating	30A 300VAC	
Housing Material	PA66, Black	
Terminal	Brass, 1.0t Tin Plated	
Screw	Steel, M4, Nickel Plated	
Working Temperature	-40°C to +105°C	
Insulation withstand Voltage	AC2000V at 1 min	
Insulation resistance	500MΩ or more at DC 500V	
Wire Range	22~12 AWG	
Max. Torque Value	18Kg/cm	

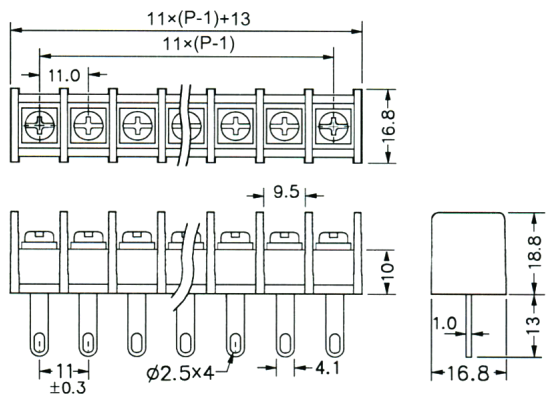
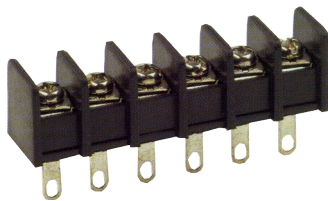


Unit : mm

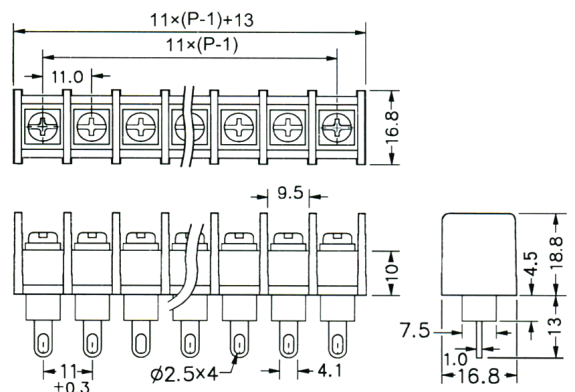
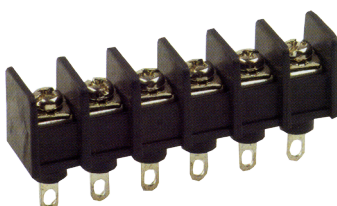
### CBP30-01



### CBP30-02

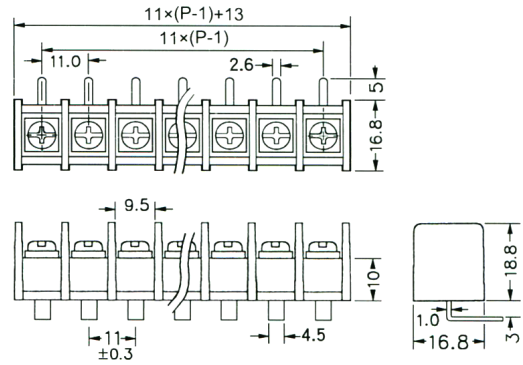
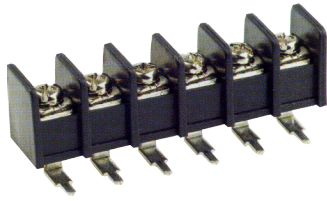


### CBP30-03

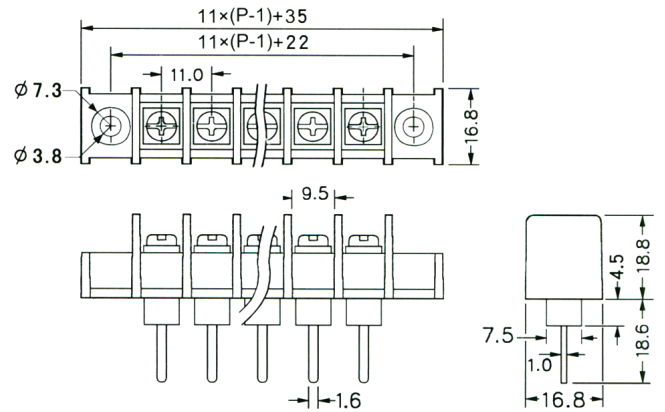
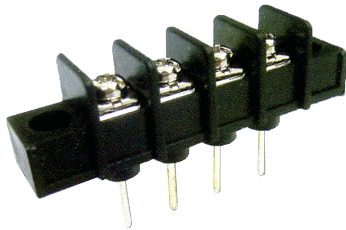


Unit : mm

#### CBP30-04



#### CBP30-05



Unit : mm