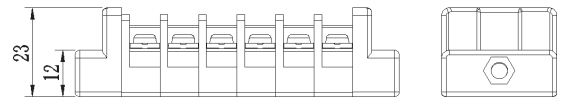
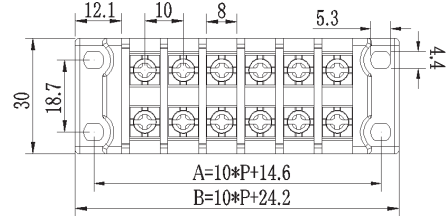
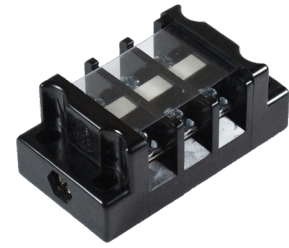


**CB3-10A**

Made in Taiwan

Electrical Rating	10A, 600V
Housing Material	Phenolic, Black
Terminal	Brass, Nickel Plated
Screw	鐵鍍三價鉻鋅 M3.5
Wire Range	14~22 AWG
Max. Torque Value	15.985Kg-cm
Working Temperature	-55°C to +150°C
Number of Poles	2P~12P
Pitch (terminal to terminal)	10mm



$A=10*P+14.6$   $B=10*P+24.2$

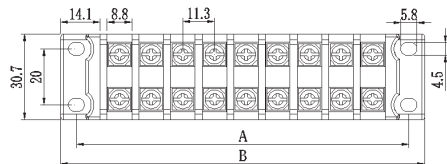
Unit : mm

Poles	2	3	4	5	6	7	8	9	10	11	12
A	34.6	44.6	54.6	64.6	74.6	84.6	94.6	104.6	114.6	124.6	134.6
B	44.2	54.2	64.2	74.2	84.2	94.2	104.2	114.2	124.2	134.2	144.2

**CB3-20A**

Made in Taiwan

Electrical Rating	20A, 600V
Housing Material	Phenolic, Black
Terminal	Brass, Nickel Plated
Screw	鐵鍍三價鉻鋅 M4
Wire Range	12~22 AWG
Max. Torque Value	15.985Kg-cm
Working Temperature	-55°C to +150°C
Number of Poles	2P~12P
Pitch (terminal to terminal)	11.3mm



$A=11.3*P+17$   $B=11.3*P+28.2$

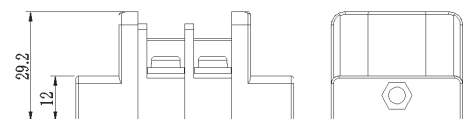
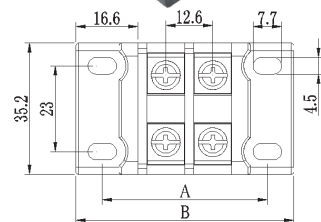
Unit : mm

Poles	2	3	4	5	6	7	8	9	10	11	12
A	39.6	50.9	62.2	73.5	84.8	96.1	107.4	118.7	130	141.3	152.6
B	50.8	62.1	73.4	84.7	96	107.3	118.6	129.9	141.2	152.5	163.8

**CB3-30A**

Made in Taiwan

Electrical Rating	30A, 600V
Housing Material	Phenolic, Black
Terminal	Brass, Nickel Plated
Screw	鐵鍍三價鉻鋅 M4
Wire Range	10~22 AWG
Max. Torque Value	15.985Kg-cm
Working Temperature	-55°C to +150°C
Number of Poles	2P~12P
Pitch (terminal to terminal)	12.6mm



$A=12.6*P+19.1$   $B=12.6*P+33.2$

Unit : mm

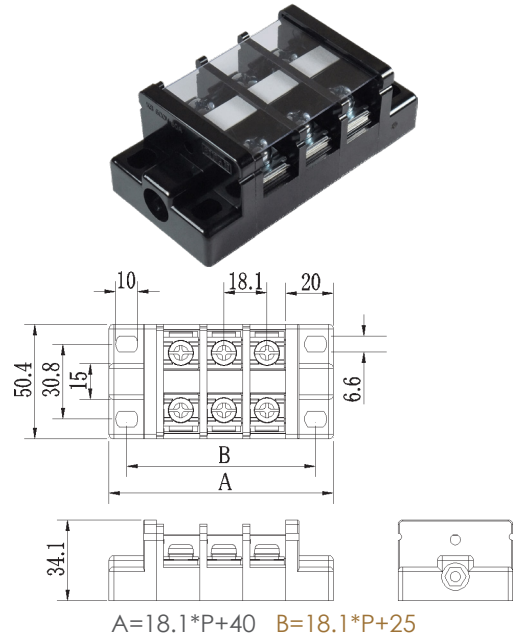
Poles	2	3	4	5	6	7	8	9	10	11	12
A	44.3	56.9	69.5	82.1	94.7	107.3	119.9	132.5	145.1	157.7	170.3
B	58.4	71	83.6	96.2	108.8	121.4	134	146.6	159.2	171.8	184.4

### CB3-60A

Made in Taiwan

Electrical Rating	60A, 600V
Housing Material	Phenolic, Black
Terminal	Brass, Nickel Plated
Screw	鐵鍍三價鉻鋅 M6
Wire Range	6~16 AWG
Max. Torque Value	20.7Kg-cm
Working Temperature	-55°C to +150°C
Number of Poles	2P~10P
Pitch (terminal to terminal)	18.1mm

		Unit : mm									
Poles		2	3	4	5	6	7	8	9	10	
A		76.2	94.3	112.4	130.5	148.6	166.7	184.8	202.9	211	
B		61.2	79.3	97.4	115.5	133.6	151.7	169.8	187.9	206	

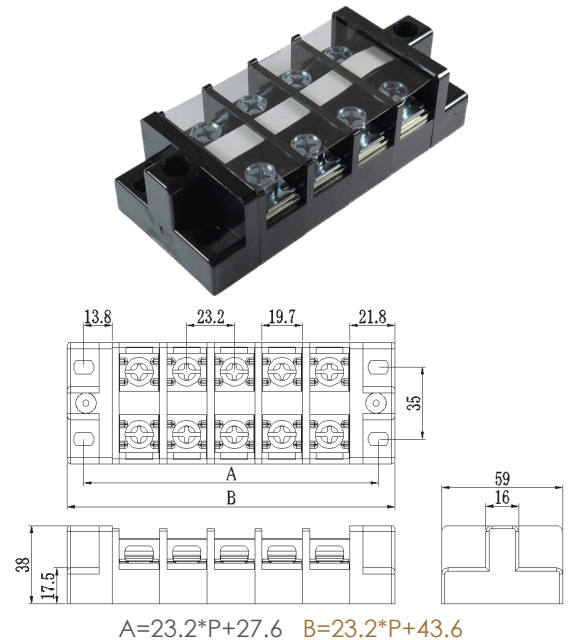


### CB3-100A

Made in Taiwan

Electrical Rating	100A, 600V
Housing Material	Phenolic, Black
Terminal	Brass, Nickel Plated
Screw	鐵鍍三價鉻鋅 M8
Working Temperature	-55°C to +150°C
Number of Poles	2P~10P
Pitch (terminal to terminal)	23.2mm

		Unit : mm									
Poles		2	3	4	5	6	7	8	9	10	
A		74	97.2	120.4	143.6	166.8	190	231.2	236.4	259.6	
B		90	113.2	136.4	159.6	182.8	206	229.2	252.4	275.6	

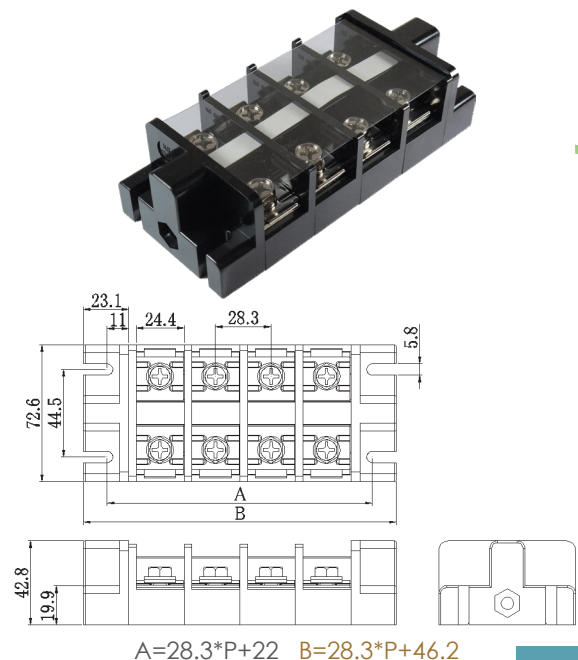


### CB3-150A

Made in Taiwan

Electrical Rating	150A, 600V
Housing Material	Phenolic, Black
Terminal	Brass, Nickel Plated
Screw	鐵鍍三價鉻鋅 M8
Working Temperature	-55°C to +150°C
Number of Poles	2P~8P
Pitch (terminal to terminal)	28.3mm

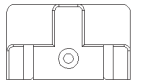
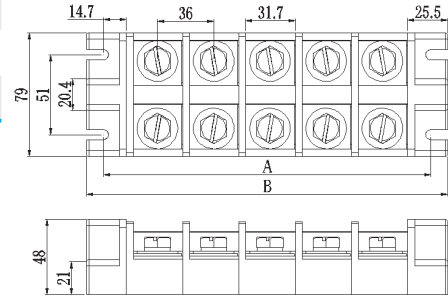
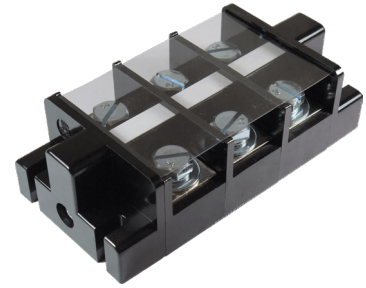
		Unit : mm							
Poles		2	3	4	5	6	7	8	
A		78.6	106.9	135.2	163.5	191.8	220.1	248.4	
B		102.8	131.1	159.4	187.7	216	244.3	272.6	



**CB3-200A**

Made in Taiwan

Electrical Rating	200A, 600V
Housing Material	Phenolic, Black
Terminal	Brass, Nickel Plated
Screw	鐵鍍三價鉻鋅 M10
Working Temperature	-55°C to +150°C
Number of Poles	2P~8P
Pitch (terminal to terminal)	36mm



$A=36*P+29.4$     $B=36*P+51$

Unit : mm

Poles	2	3	4	5	6	7	8
A	101.4	137.4	173.4	209.4	245.4	281.4	317.4
B	123	159	195	231	267	303	339